



DREAMFIRE
dreamfiregrill.com

INSTRUCTION MANUAL



Find the manual in other languages:

Eestikeelne kasutusjuhend:

Suomenkielinen käyttöohje:

Bruksanvisning på svenska:

Bruksanvisning på norsk:

Brugsanvisning på dansk:



dreamfiregrill.com/manuals

Please keep this manual for future reference.

Carefully remove any packaging before use.

These instructions are part of the product.

Please take note of all of the safety warnings listed in these instructions.



DREAMFIRE
dreamfiregrill.com

Congratulations on purchasing your Dreamfire Kamado!

Dreamfire Kamado has everything you need to prepare delicious food. Dreamfire Kamado grill is not just a grill but a multifunctional outdoor kitchen in one package. Combining the art of baking in ancient pottery with modern techniques, you can be sure that every meal will be perfect and full of taste.

Dreamfire Kamados are created by barbecue fans for other barbecue fans.
All Dreamfire Kamados are designed in Estonia.





DREAMFIRE
dreamfiregrill.com

We develop & we design

Dreamfire kamados are all developed and designed inhouse in our HQ in Estonia. Our team has years of experience as both avid home chefs and professional BBQ competitors. Dreamfire has grown together with our loyal fans and users who have given us valuable feedback which has helped us develop the kamados we offer today.

We believe in Dreamfire and demonstrate that with a lifetime warranty

We have made sure to offer the best quality of ceramic grills to our customers and this is why all Dreamfire kamados have a lifetime warranty for the whole ceramic body.

WARNINGS!

- This Kamado is for outdoor use only. DO NOT use indoor or on a balcony, boat or any other enclosed space.
- Keep kids and pets at a safe distance from the kamado at all times when the grill is hot.
- Never leave a burning fire unattended.
- Fire hazard – Hot embers may emit while in use.
- CAUTION - DO NOT use petrol, white spirit, lighter fluid, alcohol or other similar chemicals for lighting or relighting. These types of liquids will permeate into the ceramic body and leave a taste to the food you cook on your Dreamfire kamado. Only use fire starters meant for cooking to light your grill.
- It is highly recommended that you use lump charcoal in your Kamado. It burns for longer and produces less ash which can restrict the airflow. Do not use briquettes, oil shale or coal.
- IMPORTANT: When opening the lid at high temperatures it is essential to lift the lid only slightly, allowing air to enter slowly and safely, preventing any backdraft or flare-ups that may cause injury.
- DO NOT use the Kamado on decking or any other flammable surfaces such as dry grass, wood chips, leaves or decorative bark.
- Ensure that the Kamado is positioned at least 3 metres away from all flammable items. Always use grill in accordance with all applicable local fire codes.
- Keep a fire extinguisher accessible at all times while operating this Kamado.
- Do not use the Kamado as a furnace or furniture.
- Never move the Kamado when in use or hot. The ceramic body becomes hot during cooking and may take up to several hours to cool down after usage.
- Always use heat resistant gloves when handling hot ceramics, cooking surfaces and when removing food your Kamado.
- Air vents are hot while the Kamado is in use and also after grilling. Wear heat resistant gloves to prevent burns.
- Allow the unit to cool down completely before moving or storing.
- Never push your kamado in front of you while moving it.
- Always inspect the unit prior to use for fatigue and damage and replace when necessary.
- When not using the Kamado for a longer time period we suggest you remove the wooden sidetables – they may be damaged by rain, strong winds, humidity, direct sunlight etc.
- We suggest you use a special Dreamfire Kamado rain cover to protect the Kamado from the elements. Make sure that rain does not get into the ceramic body with temperatures of less than 5 degrees Celsius. The humidity may go into the porous ceramic body and get iced which may create micro cracks in the ceramic body. When water does get into the ceramic body then wipe it off with a dry cloth and heat up the grill at low temperature to dry it off.
- Never place rain cover on a grill that is hot or warm!
- Always lock the wheels/casters of your Kamado. Strong winds may move your Kamado. This is more likely to happen when a rain cover is used.
- Do not use the Kamado as a fireplace – this may damage the felt gasket.
- This Kamado is NOT for commercial use.
- During your first cook do not heat the Kamado to more than 170-180 degrees Celsius. Let the fire burn in the kamado for 30 minutes before placing food on the grill during your first cook.
- Do not overload the unit with fuel – if the fire is too intense this could damage the Kamado.
- Only use your grill on a level non-combustible stable surface. Do not move the grill on across uneven surfaces.

- After first use inspect all fasteners for tightness. The metal band connecting your lid to the base will expand from the heat and this could become loose. It is recommended you check and if necessary tighten the band with a spanner.
- How to extinguish your Kamado – stop adding fuel and close all the vents and the lid to allow the fire to die naturally. DO NOT use water to extinguish the charcoals as this could turn into a grease fire and/or damage the Kamado.

Assembly

Before assembling your new Dreamfire Kamado grill read this manual through.

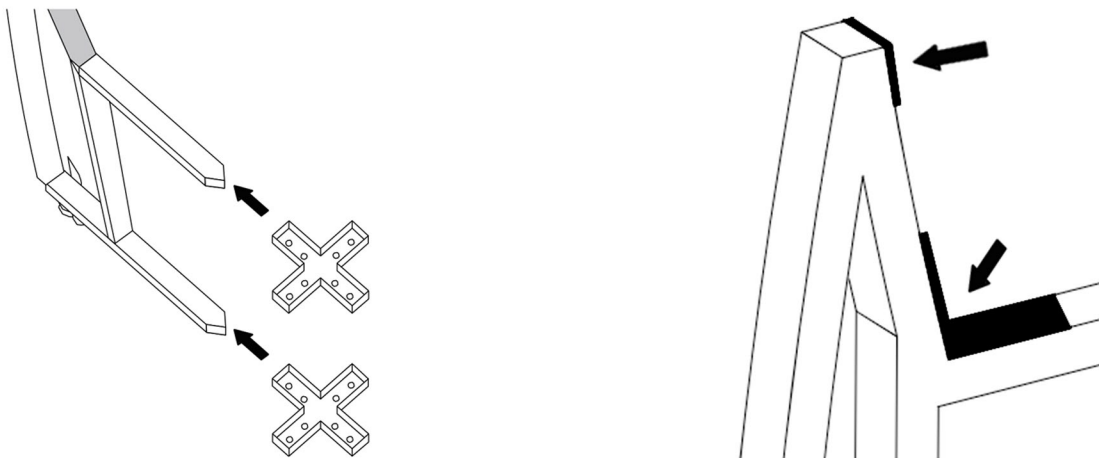
Assemble the grill on a soft surface to protect it from accidental damage like scrapes. Keep this manual with the grill.

Warning! Do not tighten nuts and bolts too tightly or you may break them or damage the ceramic body. They should be tight enough so that they would not come loose by hand but not much more. Regularly check the bolts on the grill (we recommend at least 2 times a year).

Warning – carefully remove the packaging around your Dreamfire Kamado. Don't throw away the manual. Keep the lid of your Kamado closed while you put it together. Remove and unpack everything from the inside of the Kamado before starting assembly.

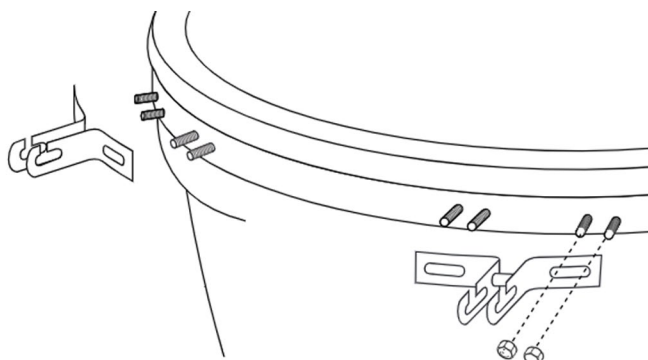
1 Cart assembly

Flip cart upside down for easy assembly. Assemble cart by inserting two „X“ connectors into leg ends. Screw them together by using bolts that came with the package. We recommend tightening the bolts when all the bolts are in to make assembly easier. Attach 8 self adhesive pads on the legs as shown on the picture. Insert wheels through the holes at the ends of the legs. Use nuts and washers and tighten the wheel bolts. Lockable wheels should be next to each other.



2 Shelf bracket

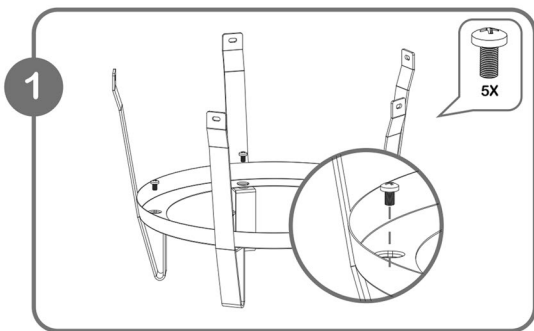
Undo the nuts on the sides of the bottom ceramic grill body's metal bands. Mount shelf brackets over studs on the sides of the metal bands with bracket slots facing up. Mount nuts on each stud and tighten them with the provided wrench.



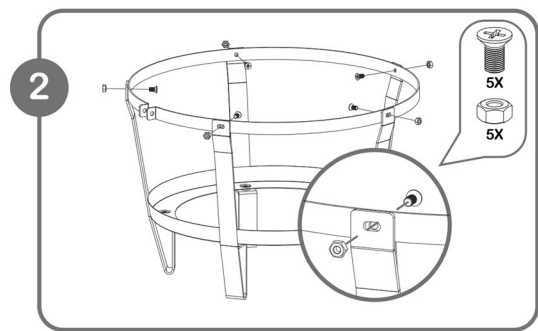
Assembly

3 Firebox assembly (Dependant on the model)

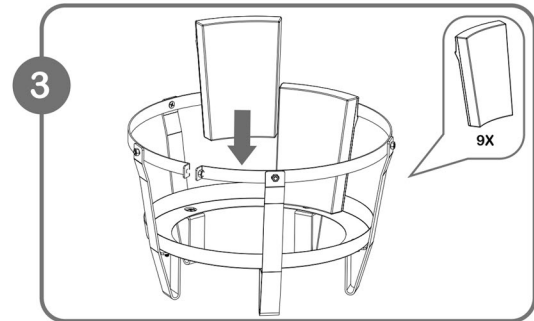
1. Attach the base panel to the five supporting legs with the 5 screws as shown on the 1st picture and make sure all screws are fully tightened.



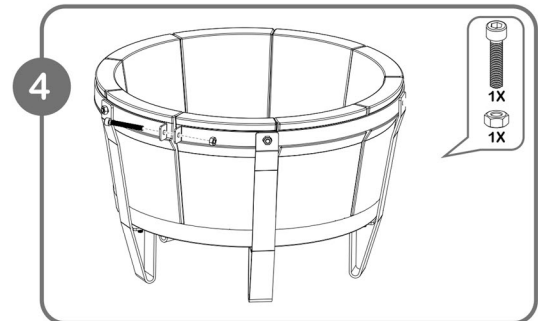
2. Attach the upper metal ring to the top of the five supporting legs with the five screws and nuts as shown on the 2nd picture. (Leave those five nuts loose)



3. Insert the nine bricks into the metal frame as shown on the 3rd picture.



4. Attach the bolt and nut to the upper ring as shown on the 4th picture and tighten it. Tighten all the remaining 5 nuts on the five supporting legs.



4 Grill assembly

Take all parts out of your Dreamfire Kamado ceramic body before lifting. The grill is heavy and requires 2 people to lift it onto the cart. Using the shelf brackets as lift handles, lift the grill and set it into the cart so that the front bottom vent is in between the legs with lockable wheels. Close the lid and install the top vent. Attach the handle by placing handle bracket over studs opposite the hinge. Screw on the nut and tighten.

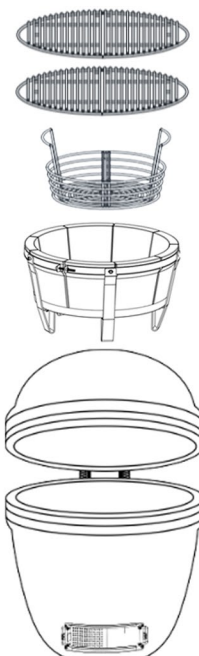
5. Grill final assembly

Place multipiece (or ceramic) firebox inside kamado. When the model has a ceramic firebox and a ceramic firering then place the firering on top of the firebox.

Place the ash basket inside the firebox.

Place the multi-tier cooking system LUX ontop of the firebox.

Place the heat deflectors and grill grates in the LUX cooking system.





TERMS OF WARRANTY

Dreamfire Kamado Grill is subject to a limited warranty. Subject to the terms and conditions set forth below, Dreamfire warrants to first-time purchasers that a ceramic Grill/Smoker/Oven manufactured and supplied by Dreamfire, to be used for their intended use by the private consumer under normal domestic conditions and maintained regularly, shall be free from defects in material and workmanship. This warranty does not apply to commercial users/purchasers.

The Warranty will be given to first-time Dreamfire Kamado Grill owners with the following terms:

Limited Life-time warranty

- For the ceramic body of the Dreamfire Kamado Grill

2-year warranty

- For the ceramic/multi-piece firebox and heat deflectors

1-year warranty:

- For the dome thermometer
- For the fireproof gasket
- For wooden parts

180-day warranty:

- For all metal parts used in the Dreamfire Kamado oven

The warranty is subject to the use of the Dreamfire Kamado in accordance with the instructions provided with the Kamado and to the registration of the Kamado at www.dreamfiregrill.com within 30 (thirty) days of purchase. The warranty does not cover damage (e.g., dents, chips or scratches) caused by normal wear and tear of the product or changes in the appearance of the Kamado or its components that do not affect its performance. The warranty does not cover damage resulting from improper use of the product that results from its use for purposes other than those for which it was intended. The warranty does not cover damage caused by improper storage, repair, use, maintenance or installation of the product, damage due to nature or accident, damage caused by the installation of unauthorized oven accessories or modification of the oven, transportation damage, or other physical damage caused either intentionally or unintentionally. The Dreamfire Kamado must be stored and used in accordance with the instructions for use - the guarantee does not apply if the oven has been damaged due to excessive humidity, if it has been stored in an unsuitable environment or if the kamado has been placed on a flammable surface. Dreamfire Kamado wood parts are not warranted for damage caused by the outdoors conditions, such as cracks, fading, molding etc. The warranty does not apply if any liquid or unsuitable fuel is used in the furnace - including flammable liquids, cleaning agents, wood chips, coal, etc. The warranty does not apply if the consumer did not immediately notify the seller of a defect in the Dreamfire Kamado oven and continued to use the oven.

This warranty does not apply to damage caused by abuse or use of the product for purposes other than that for which it is designed, damage caused by lack of proper use, assembly, maintenance or installation, damages caused by accidents or natural disasters, damage caused by unauthorized attachments or modifications, or damage during transport.

You will need to register your oven on www.dreamfiregrill.com in order for the warranty to take effect. On www.dreamfiregrill.com upload a picture or a scanned copy of Your receipt. If you are unable to upload a copy of your receipt then you have to keep the physical receipt for warranty claims. The warranty is valid from the date of purchase of the product and is limited to the original purchaser of the kamado. If a defect in material or workmanship is discovered during the applicable warranty period and is due to normal use of the product, the Dreamfire team will, at its sole discretion, replace or repair the defective component at its own expense. Under this warranty, Dreamfire accepts responsibility for repair or replacement of parts. Dreamfire is not liable for shipping, delivery charges, labour, packaging costs, export/import duties, VAT or any levied taxes resulting from any warranty claim, service, repair or return, unless authorised in writing by Dreamfire. When filing a claim, the buyer must photograph the defects in the product to assess the damage.



The warranty does not apply if the Dreamfire Kamado was purchased from a third party or unauthorized dealer. Even the Dreamfire Kamado is purchased from a legitimate business or online reseller who is selling unopened boxes (but is not an authorized dealer) then by definition they are selling a used product that is not covered by this warranty. Always check the list of official dealers from www.dreamfiregrill.com. The warranty is valid only upon registration of the product. Any cracks or other damage to the ceramic oven finishes discovered during the purchase must be noted on the purchase receipt. The warranty does not apply to small cosmetic cracks in exterior glazes, crazing, scratches, dents, cracks, chippings or fractures that do not affect the operation of the oven and are completely safe. Chemicals, fertilizers, high humidity, chlorine, grass pesticides, and salt can damage the oven's metal and wood components, and coatings. Dreamfire makes every effort to use materials that are suited for normal outdoor use, however metal parts of your kamado can be compromised by scratches, different substances or other conditions. Therefore, the warranty applicable to the metal, cast iron, and stainless-steel parts of the oven do not apply to OXIDATION, FADING, RUST, and other DEFECTS. This warranty cannot be and is not transferable on resale.

This warranty does not apply, and Dreamfire will not be liable for any damage resulting from delay, suspension or inconvenience, or for any damage resulting from the incidental, intentional and/or unintentional act.

The buyer's exclusive right regarding breach of this warranty is limited to repairing or replacing the product or parts thereof as set forth in this warranty.

Dreamfire is not liable for any delay or default in Dreamfire Kamado's performance under the warranty caused by any event or contingency beyond the control of Dreamfire, including, without limitation, acts of God, war, government restrictions or restraints, strikes, fire, floods, transportation delays or reduced supply of materials.

This warranty is provided to you in addition to all rights and remedies conveyed to you by consumer protection laws and regulations. This warranty in no way affects your legal rights under statutory warranty regulations in your country of residence.

THE WARRANTY IS EXCLUSIVE AND REPLACES ANY OTHER WARRANTIES, WRITTEN OR ORAL, EXPRESS OR IMPLIED; THIS INCLUDES BUT IS NOT LIMITED TO THE WARRANTY OF MERCHANTABILITY AND SUITABILITY OF THE DEVICE FOR USE FOR A PARTICULAR PURPOSE. DURATION OF ALL IMPLIED WARRANTIES, INCLUDING THE WARRANTY OF INDIRECT MERCHANTABILITY OR FOR THE USE OF THE DEVICE FOR A SPECIFIC PURPOSE, IS EXPRESSLY LIMITED TO THE DURATION OF THE WARRANTY PERIOD OF THE APPLICABLE COMPONENT. IN THE EVENT OF BREACH OF THE LIMITED WARRANTY OR ANY IMPLIED WARRANTY, THE BUYER IS LIMITED TO THE REPLACEMENT OF COMPONENTS UNDER THE LIMITATIONS SET OUT IN THE WARRANTY TERMS. IN NO EVENT SHALL DREAMFIRE BE LIABLE FOR ANY INCIDENTAL, CONSEQUENTIAL OR INDIRECT DAMAGES.

ACCESS TO THE WARRANTY SERVICE

Please contact your local dealer for warranty service. For international warranty service, contact your dealer in the country where you purchased the product. Before contacting, make sure you have the following information available:

- Model name
- Color
- Proof of purchase for first-time buyer
- Date of purchase
- A brief description of the model

Your satisfaction is important to us. If the problem persists, please contact the official importer of Dreamfire.